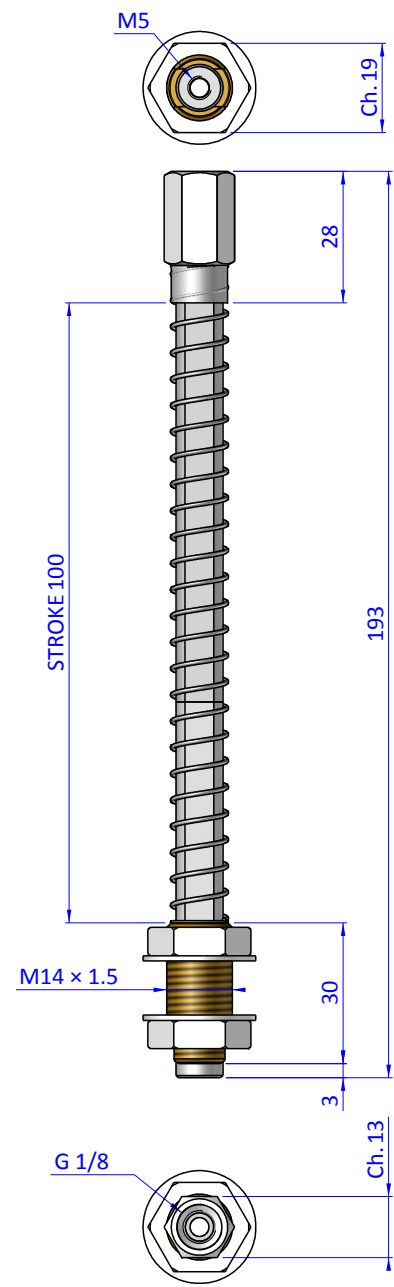
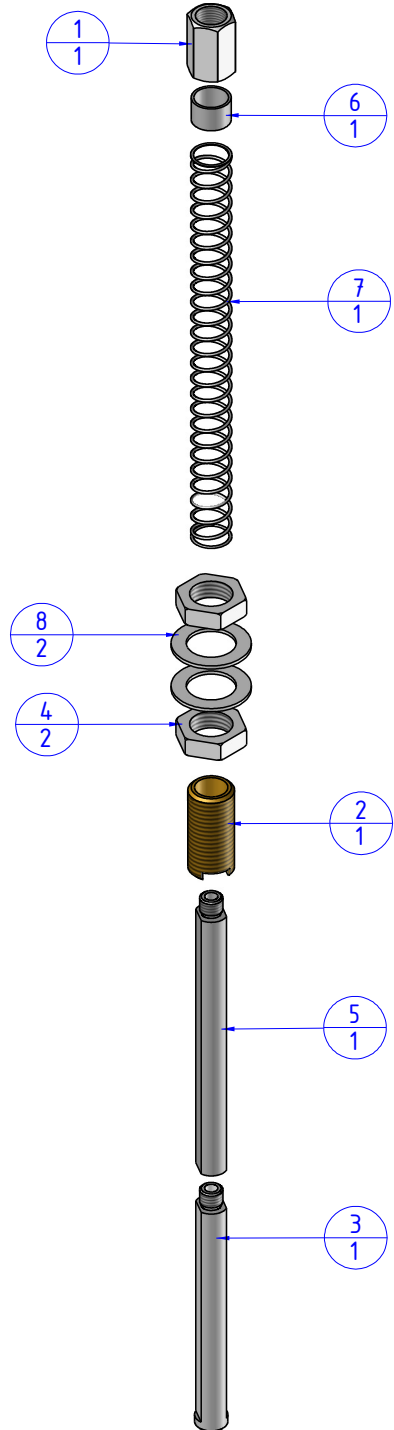


THE PROPERTY OF THE DRAWING IS ESTABLISHED BY LAW. IT IS FORBIDDEN TO PRODUCE OR SHOW IT TO THIRD PARTY, WITHOUT A WRITTEN AGREEMENT.

Item	Name	Q.ty
1	05.01.001.01	1
2	05.01.001.02	1
3	05.01.001.05	1
4	05.01.001.06	2
5	05.01.100.01	1
6	05.01.100.02	1
7	M.12x140	1
8	R.14.SCH	2



Format A3
UNI 936-76

		DESIGNED FROM	REVIEW
		FP SERVICES	A
GENERAL TOLERANCE	DESCRIPTION	DATE	WEIGHT
UNI - ISO 2768	CA.05.01.100	13/02/2019	0,127kg
CLASSE f		CODE	CA.05.01.100